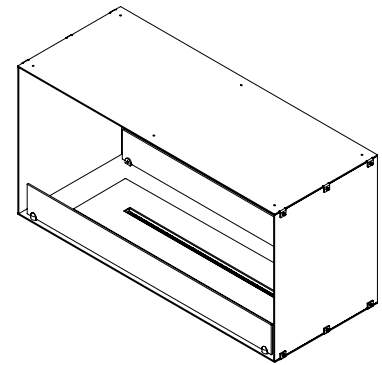
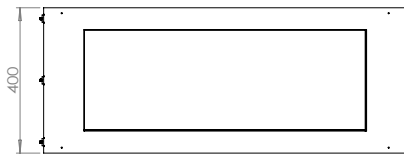
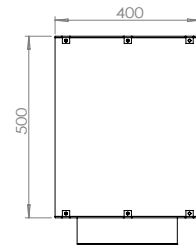
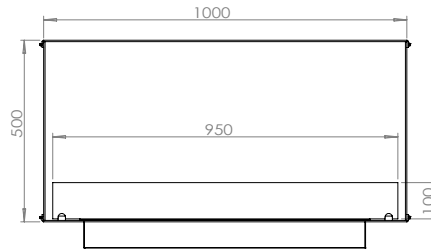




Foco Two 1000 (Manual)

BIO-30-105



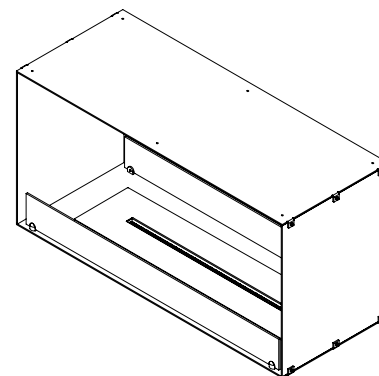
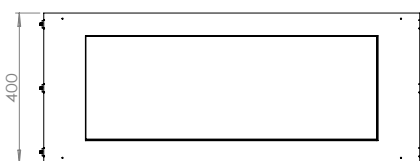
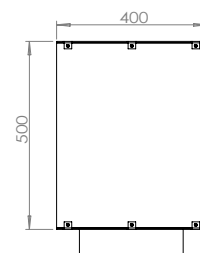
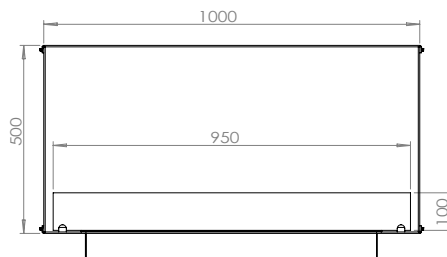
TECHNICAL SPECIFICATIONS

Type	Built-in Bioethanol Fireplace
Size	Height: 500 mm / Width: 1000 mm / Depth: 400 mm (Height with burner: 580 mm)
Materials	Steel
Weight	Approx. 20 kg
Burner	Adjustable Manuel bioethanol burner (Burner width: 600 mm / Flame width: 450 mm)
Capacity	3,5 Liter
Usage	Approx 0.46 L/hour - Max 7,5 hour per filling
Fuel	Bioethanol (Recommended 96,6% alcohol)
Colour	Black
Heat Output	3,28 kW
Electricity	No



Foco Two 1000 (PrimeFire)

BIO-30-105



TECHNICAL SPECIFICATIONS

Type	Built-in Bioethanol Fireplace
Size	Height: 500 mm / Width: 1000 mm / Depth: 400 mm (Height with burner: 645 mm)
Materials	Steel
Weight	Approx. 30 kg
Burner	Planika PrimeFire 700 (Burner width: 700 mm / Flame width: 500 mm)
Capacity	2,0 Liter
Usage	Approx 0.30 - 0.50 L/hour - Max 6.5 hour per filling
Fuel	Bioethanol (Recommended Fanola Premium)
Colour	Black
Heat Output	1.9 - 3.1 kW
Electricity	Yes